



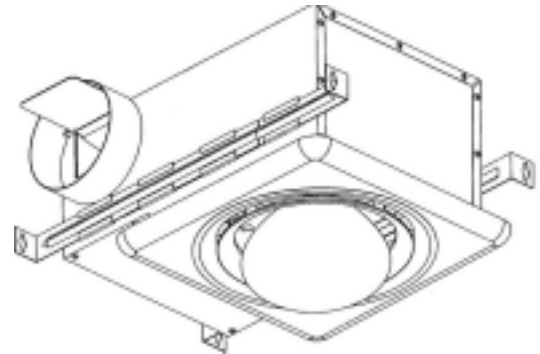
*USIELECTRIC, INC. brings over four decades of manufacturing expertise to a full line of safety products designed for the electrical industry.*



**Ventilation Products**

**Model BF-704HB Bath Fan with Heat Bulb**

- 70 CFM Performance
- 3.5 Sones
- 4" Duct Adaptor with Built-In Damper
- Galvanized Housing Resists Humid Conditions and Changing Attic Temperatures
- Housing has Ceiling/Wall Thickness Indicator Markings and Built-In Mounting Tabs for Quick and Easy Installation
- Permanently Lubricated Plug-In Motor for Quick Activation
- Precision Balanced Blade
- Molded Grille with Spring Clips for Smooth Fit Against Ceiling
- Built-in Junction Box
- Adjustable Hanger Bar Brackets Span up to 24"
- Dishwasher Safe Grille
- Uses a 250 Watt BR40 Infrared Lamp (not included)
- Independently Tested for CFM and Noise Levels



| <b>BF-704HB</b>       |                       |               |            |                      |                    |
|-----------------------|-----------------------|---------------|------------|----------------------|--------------------|
|                       | <b>Size</b>           | <b>Weight</b> |            | <b>Cube</b>          | <b>UPC #</b>       |
|                       | <b>inches</b>         | <b>lbs.</b>   | <b>kg.</b> |                      |                    |
| Inner Carton          | 13.78 x 10.15 x 6.6   | 7.3           | 3.3        | -----                | 0-42741-70436-6    |
| Master Carton (6 pcs) | 20.95 x 14.25 x 20.95 | 11.9          | 5.4        | .93 Ft. <sup>3</sup> | 1-00-42741-70436-3 |

**USI ELECTRIC, INC.**  
 11407 CRONHILL DRIVE, SUITE A  
 OWINGS MILLS, MARYLAND 21117 USA  
 TELEPHONE: 800-390-4321 • FAX: 410-363-2218 • E-MAIL: sales@usielectric.com  
 Visit Us on the Web! [www.usielectric.com](http://www.usielectric.com)